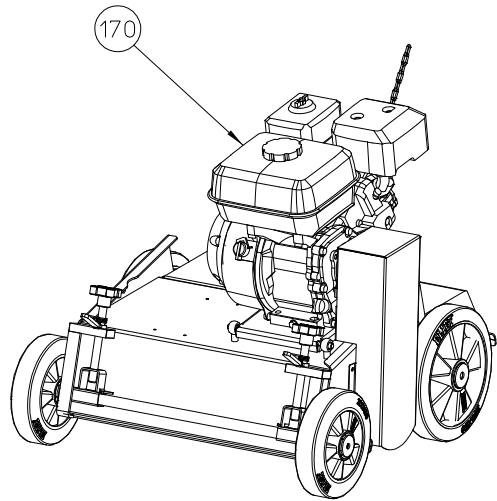
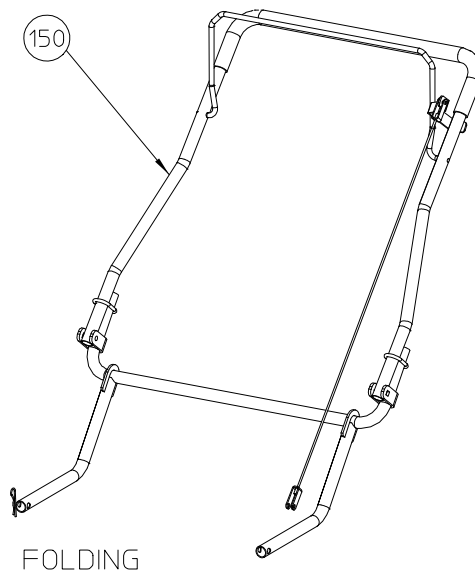
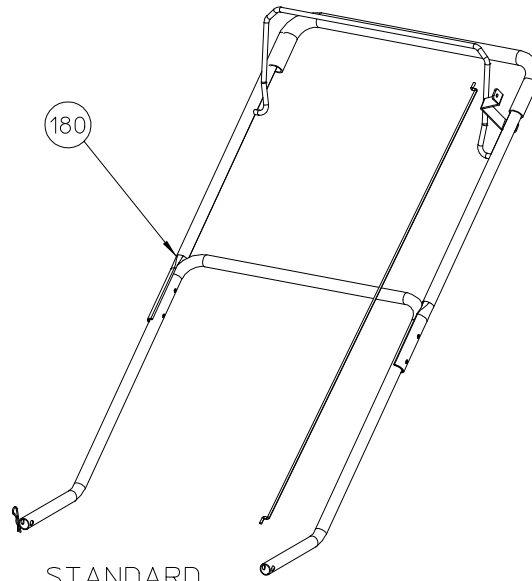


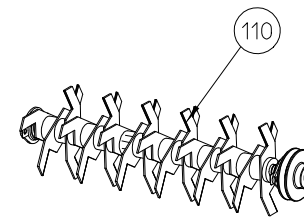
FRAME



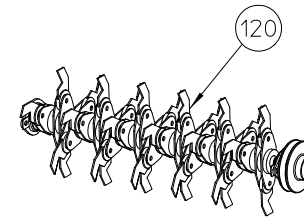
HANDLEBAR



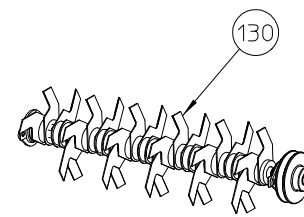
BLADES



FIXED BLADES

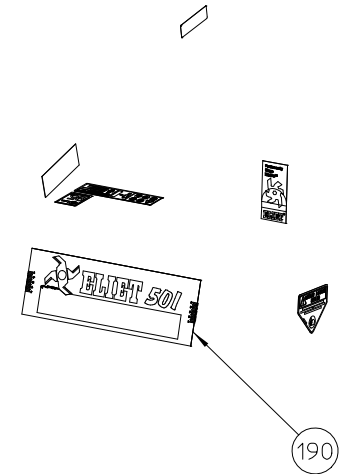


LOOSE BLADES

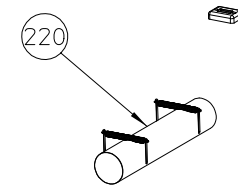


DOUBLE CUT BLADES

STICKERS



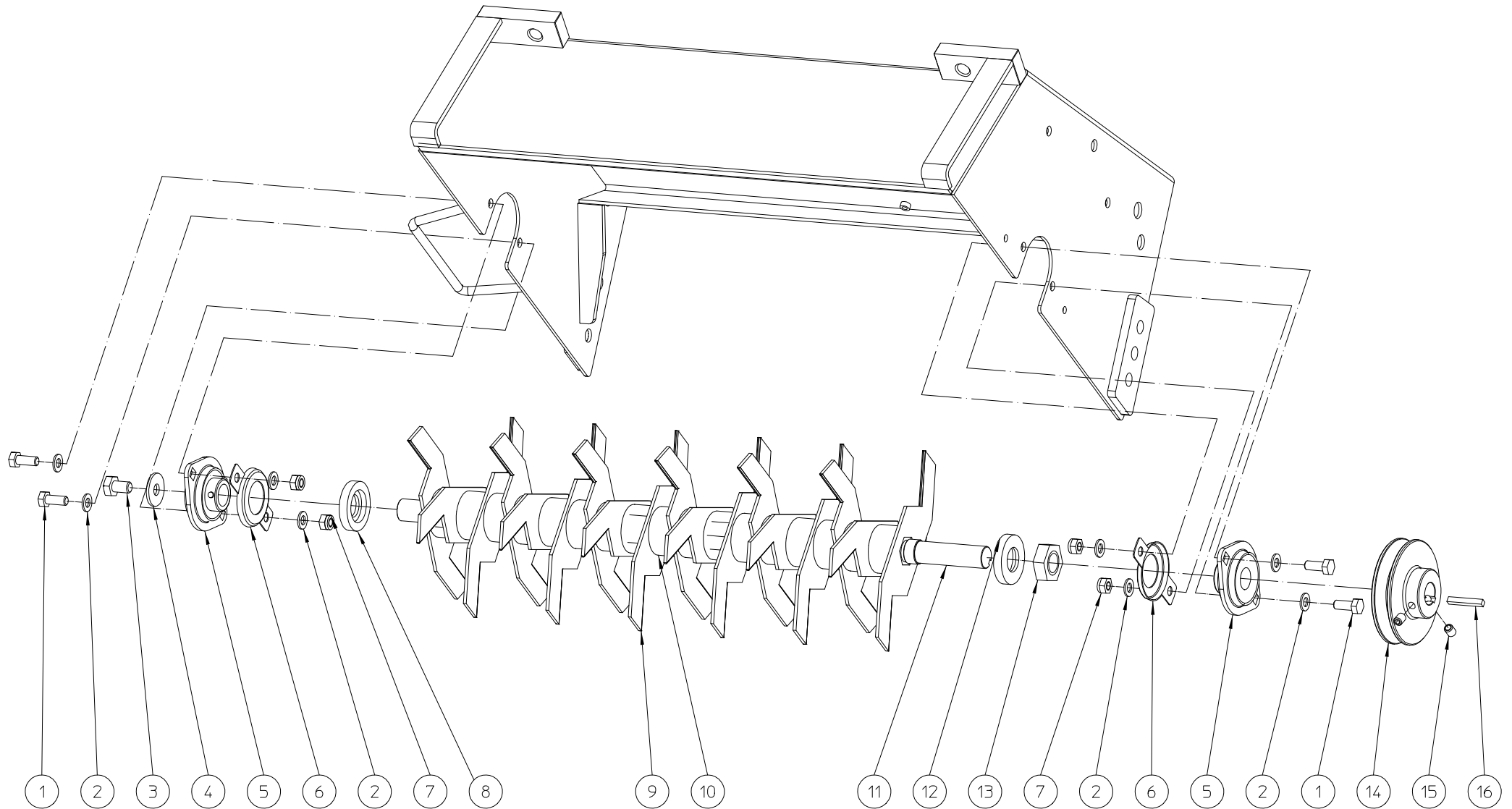
OPTIONS



ELIET E501 – GENERAL

NO	MMA 01 090 100	REV	3	DATE	2023/05/25
----	----------------	-----	---	------	------------

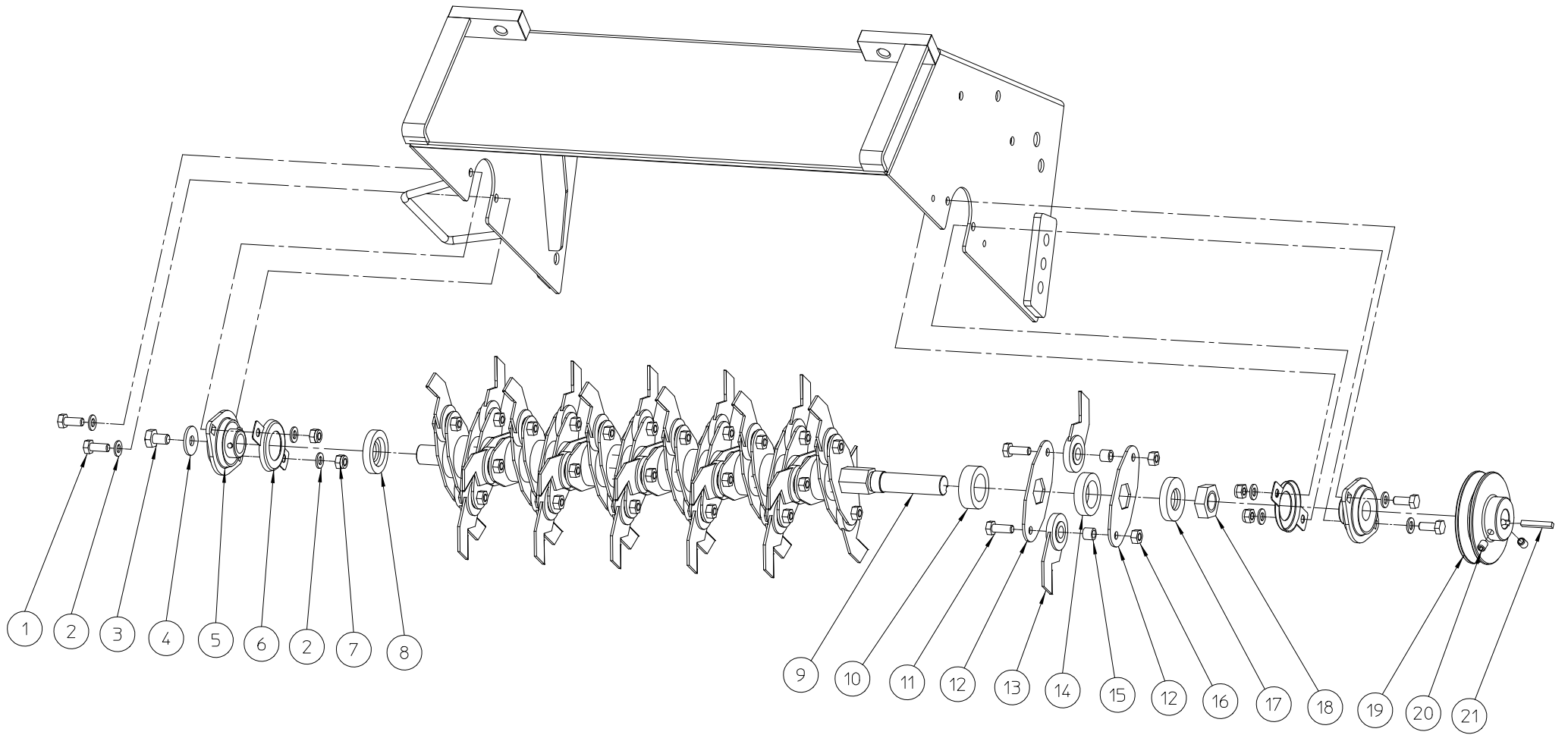
#	Order nr	article description	quantity
110	MMA 01 090 110	rotor fixed knives	1
120	MMA 01 090 120	rotor loose knives	1
130	MMA 01 090 130	rotor double cut knives	1
150	MMA 01 090 150	folding handlebars	1
170	MMA 01 090 170	standard	1
180	MMA 01 090 180	fixed handlebar	1
190	MMA 01 090 190	stickers	1
220	MMA 01 090 220	options	1



**ELIET E501 – BLADE SHAFT – FIXED BLADES**

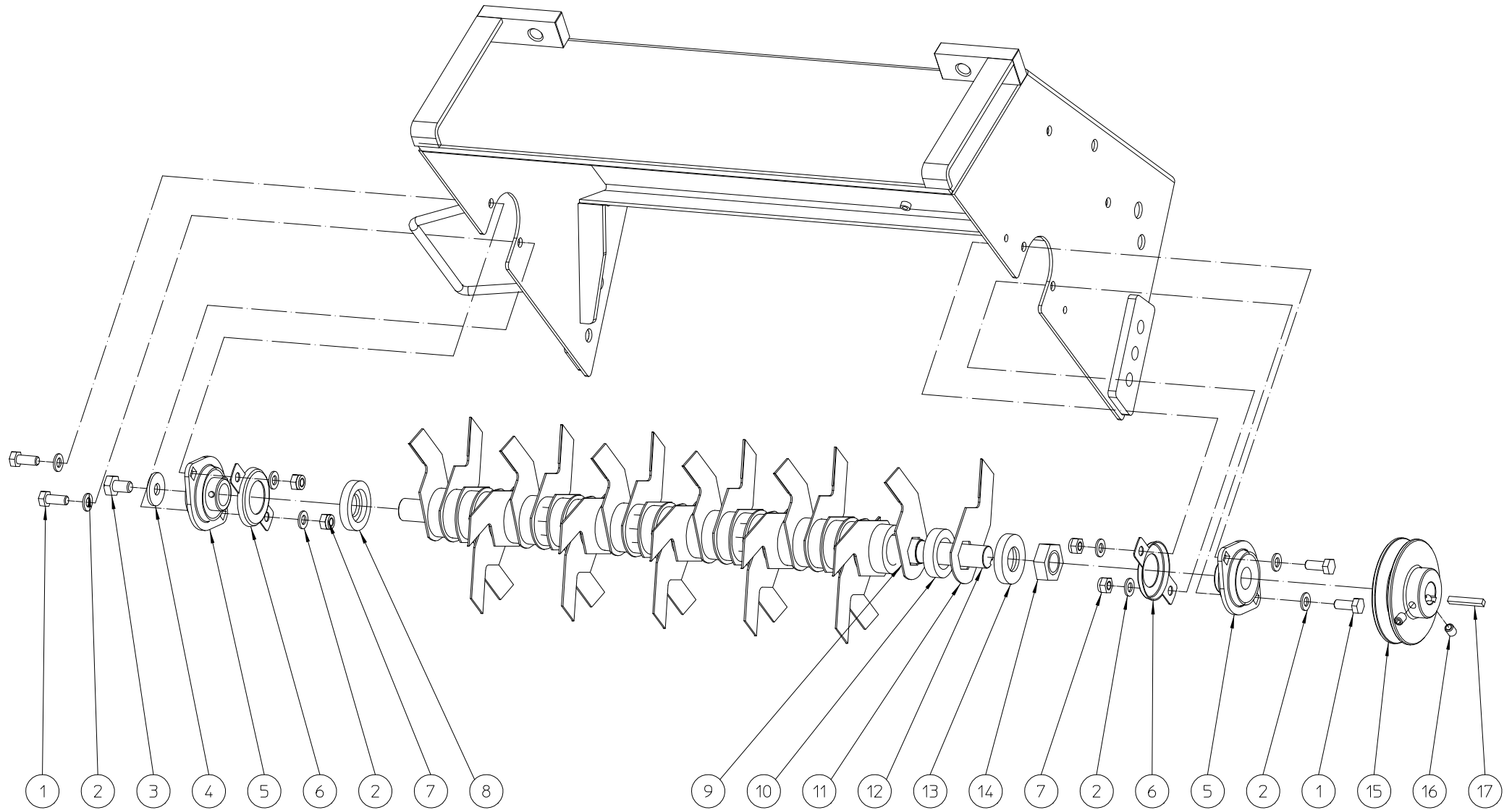
NO	MMA 01 090 110	REV	1	DATE	2023/05/25
----	----------------	-----	---	------	------------

#	Order nr	article description	quantity
1	BS 512 000 820	bolt m8x20 din 933	4
2	BS 531 000 800	washer m8 din 125	8
3	BS 512 001 016	bolt m10x16 din 933	1
4	BS 532 010 305	washer m10x30x2.5	1
5	BL 801 102 001	bearing + flanges aspfl 204	2
6	MPA 01 010 010	bearing protection cover 204	2
7	BS 502 000 800	self locking nut m8 din 985	4
8	MPA 01 090 520	connection ring for blades 20x45x8mm	1
9	BU 102 100 200	blade 3mm - e501 / e750	18
10	BR 111 292 510	nylon bushing (28.5/44x25)	17
11	MPA 01 090 500	blade shaft	1
12	MPA 01 090 510	connection ring for blades 22x45x8mm	1
13	BS 501 902 200	nut m22x1.50 din 439	1
14	BA 565 709 001	pulley spa 90x20x5 (rotor)	1
15	BS 023 000 810	set screw m8x10 din 916	2
16	BB 341 050 535	key 5x5x35 din 6880	1



ELIET E501 – BLADE SHAFT – LOOSE BLADES					
NO	MMA 01 090 120	REV	1	DATE	2023/05/25

#	Order nr	article description	quantity
1	BS 512 000 820	bolt m8x20 din 933	4
2	BS 531 000 800	washer m8 din 125	8
3	BS 512 001 016	bolt m10x16 din 933	1
4	BS 532 010 305	washer m10x30x2.5	1
5	BL 801 102 001	bearing + flanges aspfl 204	2
6	MPA 01 010 010	bearing protection cover 204	2
7	BS 502 000 800	self locking nut m8 din 985	4
8	MPA 01 090 520	connection ring for blades 20x45x8mm	1
9	MPA 01 090 500	blade shaft	1
10	BR 111 291 410	nylon bushing (28.5/44x14)	16
11	BS 512 000 822	bolt m8x22 din 933	34
12	MPA 01 090 530	bracket for loose blade	34
13	BU 102 200 100	blade - e501 / e750	34
14	BR 111 291 010	nylon bushing (28.5/44x10)	17
15	MPA 01 090 540	bush loose blade	34
16	BS 501 000 800	nut m8 din 934	34
17	MPA 01 090 510	connection ring for blades 22x45x8mm	1
18	BS 501 902 200	nut m22x1.50 din 439	1
19	BA 565 709 001	pulley spa 90x20x5 (rotor)	1
20	BS 023 000 810	set screw m8x10 din 916	2
21	BB 341 050 535	key 5x5x35 din 6880	1

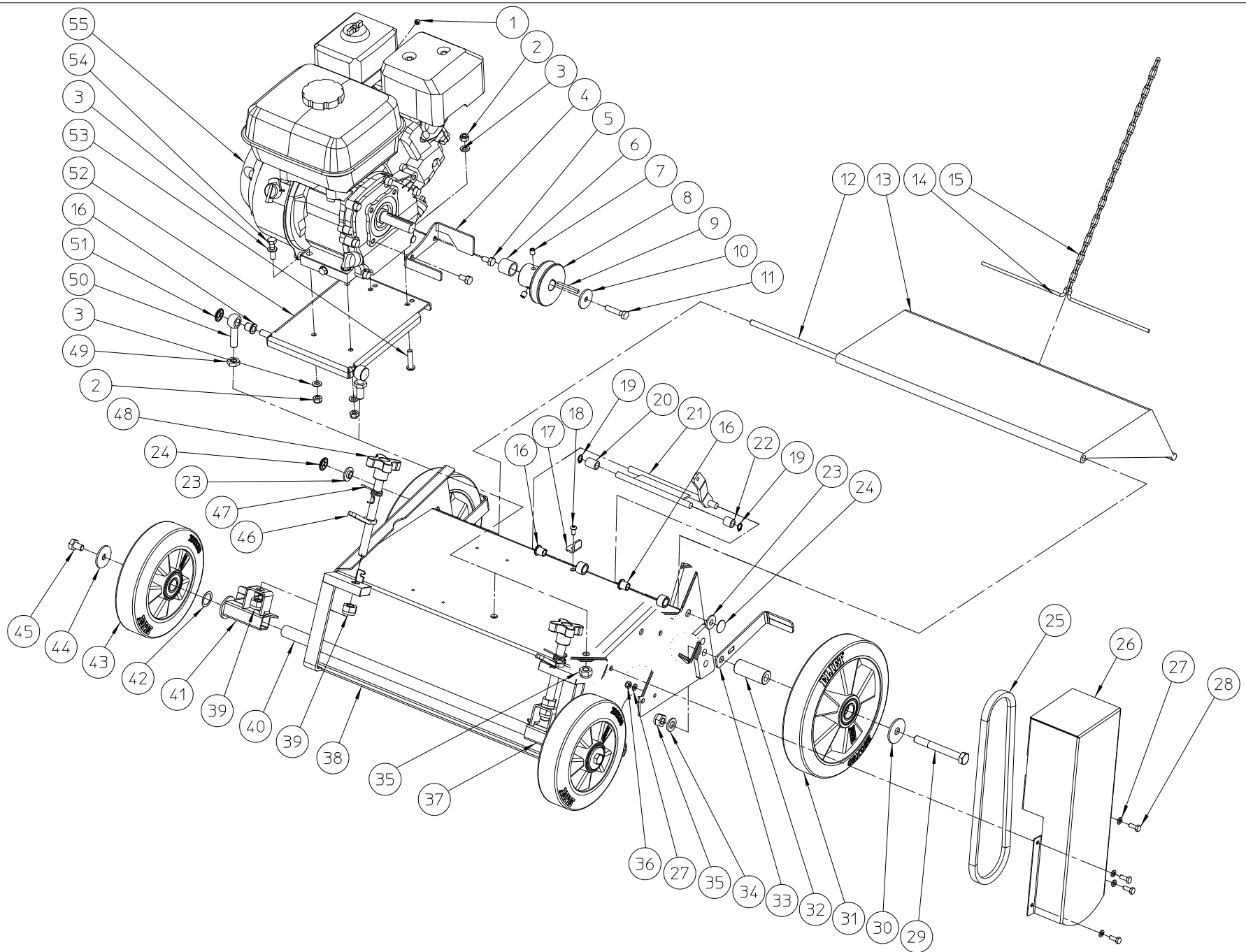


ELIET E501 – BLADE SHAFT – DOUBLE CUT				
NO	MMA 01 090 130	REV	1	DATE 2023/05/25

#	Order nr	article description	quantity
1	BS 512 000 820	bolt m8x20 din 933	4
2	BS 531 000 800	washer m8 din 125	8
3	BS 512 001 016	bolt m10x16 din 933	1
4	BS 532 010 305	washer m10x30x2.5	1
5	BL 801 102 001	bearing + flanges aspfl 204	2
6	MPA 01 010 010	bearing protection cover 204	2
7	BS 502 000 800	self locking nut m8 din 985	4
8	MPA 01 090 520	connection ring for blades 20x45x8mm	1
9	BR 111 291 410	nylon bushing (28.5/44x14)	30
10	BR 111 291 010	nylon bushing (28.5/44x10)	1
11	BU 102 300 100	double cut blade e501 / e750	32
12	MPA 01 090 500	blade shaft	1
13	MPA 01 090 510	connection ring for blades 22x45x8mm	1
14	BS 501 902 200	nut m22x1.50 din 439	1
15	BA 565 709 001	pulley spa 90x20x5 (rotor)	1
16	BS 023 000 810	set screw m8x10 din 916	2
17	BB 341 050 535	key 5x5x35 din 6880	1



#	Order nr	article description	quantity
1	BN 231 001 070	soft rubber grip dia 22mm (l=700mm)	1
2	MPA 01 090 350	clutch handle	1
3	BS 502 000 600	self locking nut m6 din 985	2
4	BS 512 000 616	bolt m6x16 din 933	2
5	BK 152 250 820	cable 2.5x820mm	1
6	MPA 01 090 360		1
7	MPA 01 090 320	ring of locking	2
8	BR 020 501 220	tube cap Ø 22mm	2
9	BB 221 004 100	pop plug steel 3.9x10	2
10	BR 625 020 100	rubber foot	2
11	BS 554 100 841	bolt m8x45 din 603	2
12	BS 531 000 800	washer m8 din 125	2
13	BS 502 000 800	self locking nut m8 din 985	2
14	MPA 01 090 370		1
15	BB 040 102 040	hairpin cotter 2mm din 11024	1
16	BS 531 001 000	washer m10 din 125	1

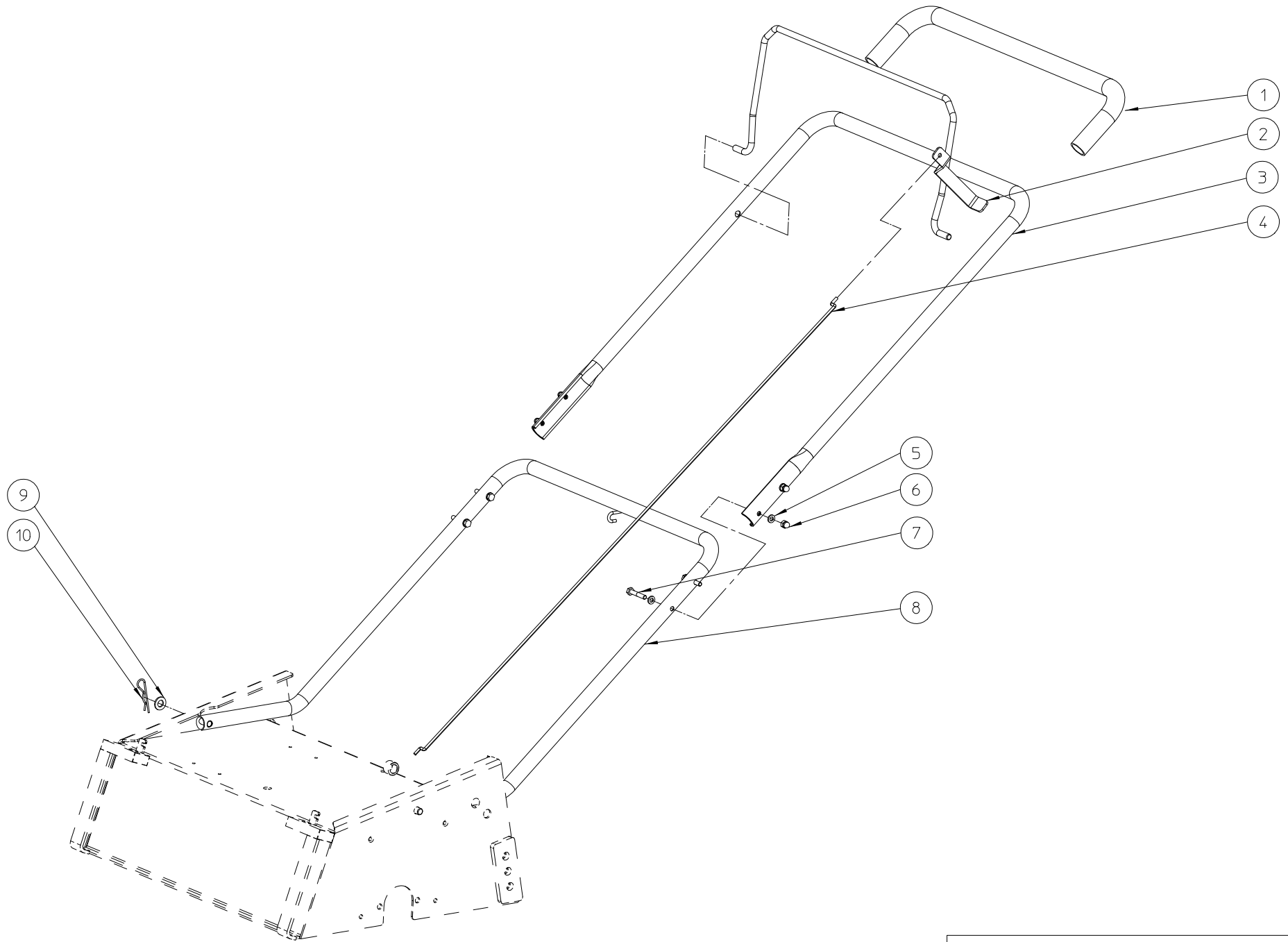


**ELIET E501 – CHASSIS**

NO	MMA 01 090 170	REV	3	DATE	2023/05/25
----	----------------	-----	---	------	------------

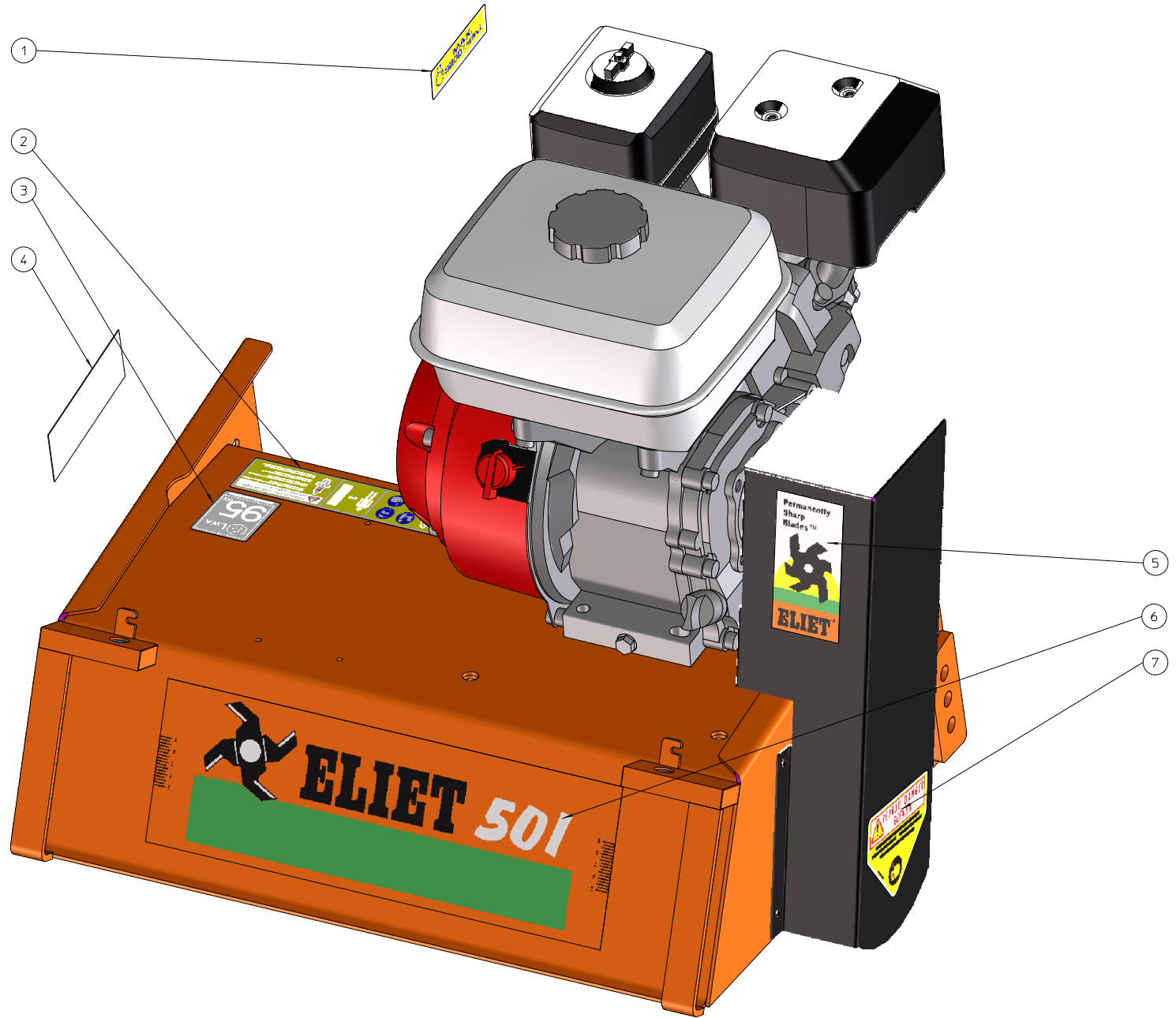
#	Order nr	article description	quantity
1	BS 501 000 500	nut m5 din 934	1
2	BS 502 000 800	self locking nut m8 din 985	4
3	BS 531 000 800	washer m8 din 125	6
4	MPA 01 090 150	belt catcher	1
5	BS 512 040 816	bolt unf 5/16"x5/8"	2
6	MPA 01 090 670		1
7	BS 023 000 810	set screw m8x10 din 916	2
8	BA 565 707 101	pulley spa 71x3/4"x3/16" (engine)	1
9	BB 342 050 544	key 4.7x4.7x44 din 6880	1
10	BS 532 008 356	washer m8x35x3	1
11	BS 511 040 840	bolt unf 5/16"x1"1/2	1
12	MPA 01 090 230	axle	1
13	BR 900 000 510	rubber anti projection guard	1
14	MPA 01 090 220	chain attachment	1
15	BY 512 032 344	chain Ø3x11x23mm - 44cm	1
16	BR 112 101 500	nylon bushing with collar (10/13/18x15/2)	4
17	MPA 01 090 130	retainer	1
18	BS 522 500 612	screw m6x12 iso 7380	1
19	BB 001 000 100	retaining ring 10 din 471	2
20	BR 111 102 000	nylon bushing (10.3/15x20)	1
21	MPA 01 090 690		1
22	BR 111 101 500	nylon bushing (10.3/15x15)	1
23	BR 112 100 600	nylon bushing with collar (10/13.5/25x6/2.5)	2
24	BB 011 000 090	starlock 9mm	2
25	BA 521 208 000	belt xpa 800	1
26	MPA 01 090 250	transmission guard	1
27	BS 531 000 600	washer m6 din 125	6
28	BS 512 000 616	bolt m6x16 din 933	4
29	BS 511 001 250	bolt m12x100 din 931	2
30	BS 532 012 456	washer m12x45x3	2
31	BW 325 025 000	rear wheel alu 250/50-60 (e 501 pro)	2
32	MPA 01 100 190	axle for rear wheel 61mm (e 501 pro)	2
33	MPA 01 090 290	rear wheel scraper	2
34	BS 531 001 200	washer m12 din 125	2
35	BS 502 001 200	self locking nut m12 din 985	4
36	BS 502 000 600	self locking nut m6 din 985	2
37	MPA 01 090 270	front wheel holder right	1
38	MPA 01 090 120	chassis	1
39	BS 502 001 400	self locking nut m14 din 985	4
40	MPA 01 090 100	front wheel axle	1
41	MPA 01 090 110	front wheel holder left	1
42	BS 036 002 005	fitting ring 20x28x0.5mm din 988	2
43	BW 320 020 000	front wheel alu 200/50-60 (e 501 pro)	2
44	BS 532 010 406	washer m10x40x3	2
45	BS 512 001 016	bolt m10x16 din 933	2
46	MPA 01 090 260	locking handle	2
47	BV 909 000 030	spring	2
48	BN 630 214 600	lob knob 189-60 m14x135	2
49	BS 501 901 200	nut m12 din 439	2
50	BS 551 101 242	eye bolt m12x50 din 444	2
51	BB 011 000 100	starlock 10mm	2
52	MPA 01 090 140	engine plate	1

53	BS 522 500 835	screw m8x35 iso 7380	2
54	BS 511 000 835	bolt m8x35 din 931	2
55	BM 202 106 500	honda gx 200	1



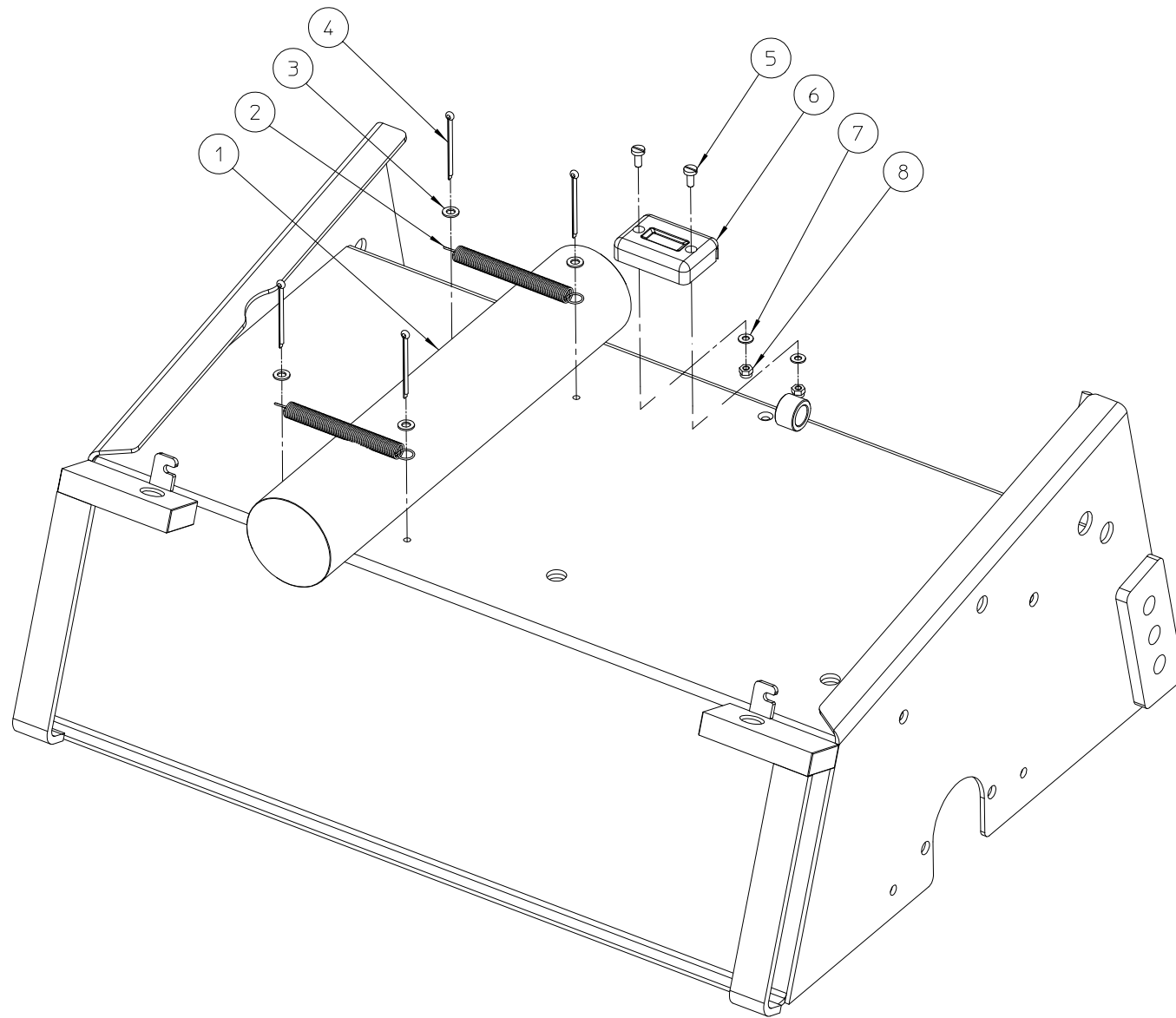
ELIET E501 – FIXED HANDLEBAR				
NO	MMA 01 090 180	REV	1	DATE
				2023/05/25

#	Order nr	article description	quantity
1	BN 231 001 070	soft rubber grip dia 22mm (l=700mm)	1
2	MPA 01 090 350	clutch handle	1
3	MPA 01 090 170	upper steering bracket	1
4	BV 909 000 040	rod	1
5	BS 531 000 600	washer m6 din 125	8
6	BS 505 500 600	nut m6 din 1587	4
7	BS 511 000 635	bolt m6x35 din 931	4
8	MPA 01 090 180	lower steering bracket	1
9	BS 531 001 000	washer m10 din 125	1
10	BB 040 102 040	hairpin cotter 2mm din 11024	1



ELIET E501 – STICKERS							
NO	MMA 01 090 190	REV	1	DATE	2023/05/25		

#	Order nr	article description	quantity
1	BQ 505 010 030	sticker max 3200 rpm 90x25	1
2	BQ 505 010 171	safety sticker 70x115 (pictogram)	1
3	BQ 505 112 095	sticker sound level 95 db	1
4	BQ 505 010 010	identity sticker ce 120x30	1
5	BQ 501 010 100	sticker permanent sharp blades	1
6	BQ 501 090 010	sticker eliet e501 364x122	1
7	BQ 505 010 070	safety sticker 100x80 (hand cuts)	1



ELIET E501 – OPTIONS

NO	MMA 01 090 220	REV	1	DATE	2023/05/25
----	----------------	-----	---	------	------------

#	Order nr	article description	quantity
1	BQ 051 320 550	manual casing 320mm	1
2	BV 011 010 010	spring 1.0x10x100	2
3	BS 531 000 500	washer m5 din 125	4
4	BB 135 050 401	split pins Ø 3,2x40 din 94	4
5	BS 541 000 410	screw m4x10 din 84	2
6	BE 412 410 000	maintenance meter and t/min	1
7	BS 531 000 400	washer m4 din 125	2
8	BS 502 000 400	self locking nut m4 din 985	2